

AL-96 S5 AIRLESS AUTOMATIC SPRAY GUN

GB Before use, adjustment or maintenance, it is important to read this instruction manual very carefully. This manual must be stored in a safe place for any future reference that may be necessary.

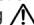
This **ANEST IWATA** airless spray guns kit complies to ATEX regulations 94/9/EC.
Protection level: II 2 G X Suitable for using Zones 1 and 2.





X marking: Any static electricity discharge from the spray gun is to be diverted to the ground via the conductive air hose as stipulated.

IMPORTANT

This airless spray gun should be operated only by an adequately trained operator, for safe use and maintenance of the equipment. Any misuse or handling other than those indicated in this Instruction Manual is not covered by guarantee. ANEST IWATA disclaims all responsibility for any accident or damage caused by failure to observe the operational and safety procedures in this manual. In the interest of user friendliness, this manual contains information in a brief and concise form. For any additional information you may require regarding Airless spray gun operations, or if any missing parts or any damage during transportation is found, please contact your nearest ANEST IWATA Company (see last cover page).

Be sure to observe warnings and cautions in this instruction manual.
If not, it can cause paint ejection and serious bodily injury by drawing organic solvent.
Be sure to observe following  marked items which are especially important.

 WARNING	Indicates a potentially hazardous situation which, if not avoided, may result in serious injury or loss of life.
 CAUTION	Indicates a potentially hazardous situation which, if not avoided, may result in minor or moderate injury or property damage.
IMPORTANT	Indicates notes which we ask you to observe. The safety precautions in this instruction manual are the minimum necessary conditions. Follow national and local regulations regarding fire prevention, electricity and safety as well as your own company regulations.

IMPORTANT SPECIFICATIONS

Max. Pressure Fluid:	250 bar (3600 PSI)	Max. Temperature:	
Max. Pressure Air:	7.0 bar (100 PSI)	Atmosphere	5 ~ 40 °C
Noise Level (LAeqT)	62.9 dB (A)	Air and fluid	5 ~ 43 °C
Spray conditions	Used with nozzle tip NT-3005		
	Fluid pressure 100 bar (1440 PSI)		
	Tested with water	Measuring point:	1m backwards from gun, 1.6 m height

TECHNICAL SPECIFICATIONS

Model	Max. operating pressure bar (PSI)	Operating air pressure bar (PSI)	Use	Fluid output ml/min.	Fluid hose connection	Fitting dimension	Mass g (lbs)
AL-96 S5	250 (3600)	4.0 ~ 7.0 (57~100)	General	Ref. to 4. selection of nozzle tip according to kind of paint	G 1/4" Air G 1/4" Fluid	Ø 16 hole or M8 screw	480 (1.06)

Manufactured by:
ANEST IWATA Corporation 3176,Shinyoshida-cho, Kohoku-ku, Yokohama, 223-8501 Japan


ANEST IWATA Europe S.r.l.
Corso Vigevano, 46 - 10155, Torino (Italy)
Direct Tel. +39 011 - 22 74 402
Fax +39 011 - 22 74 000
info@anest-iwataeu.com
www.anest-iwataeu.com

ANEST IWATA Italia S.r.l.
Corso Vigevano, 46 - 10155, Torino (Italy)
Tel. diretto +39 011 - 24 80 868 - Fax: +39 011 - 85 19 44
info@anest-iwata.it www.anest-iwata.it

ANEST IWATA Iberica
Calle de Les Teixidores, 3-5
08918 - Badalona (Barcelona)
Tel.: +34 93 32 05 993 - Fax.: +34 93 32 05 965
info@anest-iwata.es www.anest-iwata.es

ANEST IWATA Deutschland
Mommensenstrasse 5
04329 Leipzig
Telefon: +49 (0)341 241 44 30 - Fax: +49 (0)341 252 55 95
info@anest-iwata.de www.anest-iwata.de

European Sales Branches:

ANEST IWATA Scandinavia
Ögärdesvägen 6C, 433 30 PARTILLE - Sweden
Tel. +46 (0)31 - 340 28 60 - Fax: +46 (0)31 - 340 28 69
info@anest-iwata.se www.anest-iwata.se

ANEST IWATA France
25 rue de Madrid - 38070 St Quentin Fallavier - France
Tél. +33 (0)4 - 74 94 59 69 - Fax: +33 (0)4 - 74 94 34 39
info@anest-iwata.fr www.anest-iwata.fr

ANEST IWATA U.K.
Unit 10 Little End Road - Eaton Socon
St. Neots - CAMBRIDGESHIRE
PE19 8JH
Tel.: +44 (0) 1480 40 54 19 Fax: +44 (0) 1480 21 76 10
enquiries@anest-iwata.co.uk www.anest-iwata.co.uk

SAFETY WARNINGS



FIRE OR EXPLOSION HAZARD

1. Sparks and open flames are strictly prohibited.

Paints can be highly flammable and can cause fire. Avoid any ignition sources such as smoking, open flames, electrical goods, etc.

2. Be sure to stop pump, reduce operating air pressure and fluid pressure down to 0 bar before you fit or remove nozzle tip.

Emission of paint or solvent during operation can cause great danger.

3. Securely ground airless spray gun by using air hose with built-in ground wire or using fluid hose with built-in ground wire or using grounded gun stay.

Ground resistance : Less than 1 MΩ. Check the earth stability periodically.

Securely ground pump, airless spray gun, workpiece and containers containing paint or solvent.

If not, insufficient grounding can cause fire and explosion due to static electric sparking.

Insufficient grounding will cause explosion or fire by spark of electricity.

4. Never use the following HALOGENATED HYDROCARBON SOLVENTS

which can cause cracks or dissolution on gun body (aluminum) by chemical reaction.

Unsuitable solvents: methyl chloride, dichloromethane, 1,2-dichloroethane, carbon tetrachloride, trichloroethylene, 1,1,1-trichloroethane.

(Be sure that all fluids and solvents are compatible with gun parts. We can supply a list of materials used to manufacture the product.)



IMPROPER USE OF EQUIPMENT

1. Never point airless spray gun towards people or animals.

If done, it can cause inflammation of eyes and skin or bodily injury. If you feel any abnormality during operation, consult a medical doctor immediately.

2. Never exceed maximum operating pressure and maximum operating Temperature.

Use at more than max. operating pressure can cause explosion of airless spray gun resulting in great danger.

3. Be sure to release fluid pressure before cleaning, disassembling or servicing.

If not, remaining pressure can cause bodily injury due to improper operation or scattering cleaning liquid.

In order to release pressure, first stop supply of compressed air, fluid and thinner to airless spray gun.



PROTECTION OF HUMAN BODY

1. Use in a well-ventilated site by using spray booth.

If not, poor ventilation can cause organic solvent poisoning and catch fire. If you feel any abnormality during operation, consult a medical doctor immediately.

2. Always wear protective gear (safety glasses, mask, gloves).

If not, cleaning liquid, etc., can cause inflammation of eyes and skin.

If you feel something wrong with eyes or skin, immediately see a doctor.

3. Wear earplugs if necessary.

Noise level can exceed 85 dB(A), depending on operating conditions and painting site.

4. Be sure to stop pump, reduce air and fluid pressure down to 0 bar before you fit or remove nozzle tip, cleaning, disassembling or servicing.

Emission of paint or solvent during operation can cause great danger.

5. Never try to stop leaks by hand, when paint leaks.

In case of leaks, stop pump immediately and reduce paint pressure down to 0 bar.

High pressure paint emitted through small hole can pierce an iron plate and can cause severe injury since paint can enter human body directly through eye, mouth or skin. It is very dangerous. If you feel any abnormality or receive any injury, consult a medical doctor immediately.



BURST FLUID HOSE

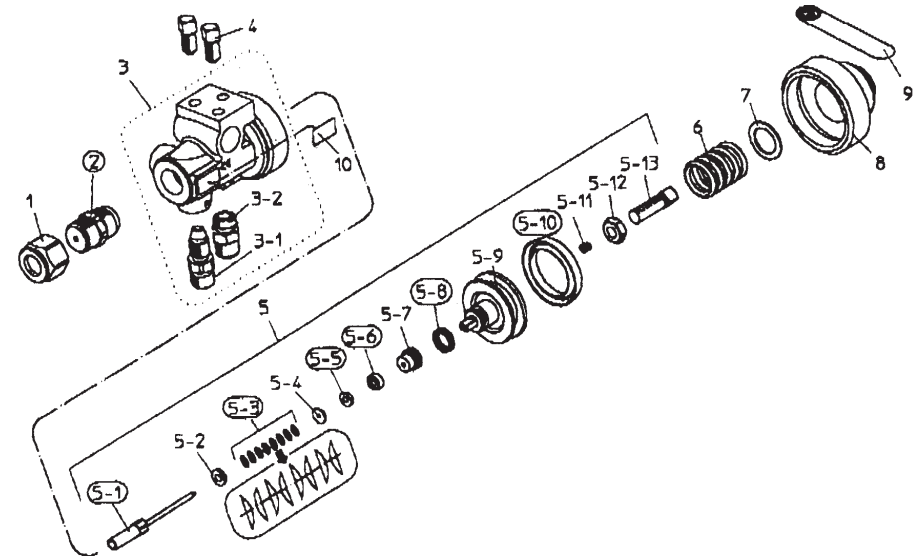
1. Never use cracked, damaged, bent or crushed fluid hose.

High pressure paint emitted from small hole can pierce an iron plate and cause great danger.

2. Never bend fluid hose with a radius of less than permitted bend radius.

Contact the shop who sold the hose to you, or us, about permitted bend radius. Never put heavy things on it in order not to damage the hose. If done, hose can explode causing great danger.

SPARE PARTS LIST



● Marked parts are consumable parts

DESCRIPTION	REF. PART
NOZZLE HOLDER	1
NOZZLE GLAND SET	● 2
GUN BODY SET	3
FLUID NIPPLE	3-1
AIR NIPPLE	3-2
BOLT SET	4
NEEDLE SET	5
NEEDLE BAR SET	● 5-1
CONICAL SPRING HOLDER	5-2
CONICAL SPRING WASHER	● 5-3
PACKING HOLDER	5-4
SUB PACKING	● 5-5
NEEDLE PACKING	● 5-6

DESCRIPTION	REF. PART
NEEDLE PACKING SEAT	5-7
MINI Y PACKING	● 5-8
PISTON SET	5-9
PISTON PACKING	● 5-10
SCREW	5-11
HEX. NUT	5-12
SQUARE SCREW	5-13
PISTON SPRING	6
COLLAR	7
PISTON SPRING HOLDER	8
CAUTION PLATE	9
NAME PLATE	10

PROBLEMS AND REMEDIES

IMPORTANT : As for * marked items, ask our distributor to remedy it for you. Incorrect remedy cannot achieve satisfactory performance.

Problem	Cause	Remedies
Paint does not come out.	Nozzle tip is clogged.	Clean nozzle tip and remove foreign matter from hole by needle.
	Paint is not fed.	Inspect pump.
	Operating air pressure is low.	Set it at 4.0 -7.0 bar
	Filter in paint circuit is completely clogged.	Clean or replace.
Paint comes out weakly.	Pump fluid pressure is low.	Increase pump fluid pressure.
	Filter in paint circuit is clogged.	Clean or replace.
	Nozzle tip is worn or number of nozzle tip is too large. (Pump capacity is small compared with nozzle tip being used.)	Replace with new tip or proper sized tip.
Paint does not stop smoothly. (Paint leaks from the gun tip).	Pump paint pressure is too high.	Reduce paint pressure down to 250bar (3600 psi)
	Paint sticks to needle packing [5-6].	Disassemble, clean or replace parts.*
	Paint sticks to needle seat.	Disassemble, clean or replace parts.*
	Seat between needle bar set [5-1] and nozzle gland set [2] is worn.	Replace part.*
Paint leaks from leak detection hole of gun body.	Wear or damage of needle packing [5-6]	Replace part.*
	Wear or damage of needle bar set[5-1]	Replace part.*

ADJUSTMENT OF NEEDLE PACKING



WARNING

Be sure to stop pump, reduce paint pressure down to 0 bar and stop operating air before you adjust needle packing



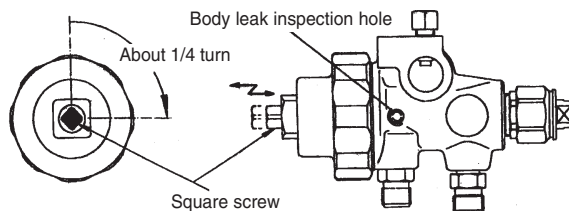
IMPORTANT

Adjust needle packing in correct way. If not done, it can cause failure such as slow gun operation (slow start and/or stop).

When leak does not stop even after you have adjusted needle packing, ask the distributor who sold the gun to you for disassembly and inspection.

- Paint can leak from leak detection hole of gun body due to wear of needle packing after long periods of use.
- If paint leaks, you can stop the leak temporarily with the following procedure. But in that case, please disassemble and inspect immediately for protection of gun body and other parts.

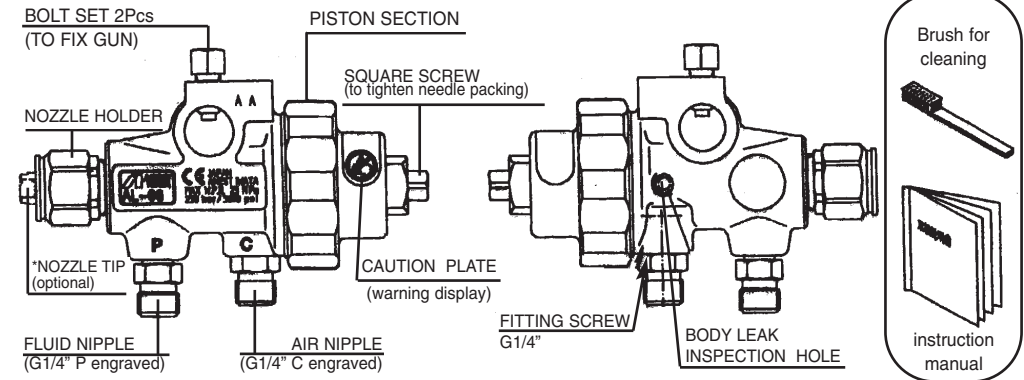
1. Stop operating air and reduce it down to 0 bar.
2. Turn square screw at the back of gun body about 1/4 turn clockwise to tighten needle packing.
3. Check that paint does not leak from paint leak detection hole.
4. If leak still does not stop, turn the square locking crew about another 1/4 turn.
5. Supply operating air and check that square locking screw operates smoothly.



OTHER PRECAUTIONS

1. **Never alter this Airless spray gun.**
If done, it can cause insufficient performance and failure.
2. **Enter working areas of other equipment (robots, reciprocators, etc.) after machines have been turned off.**
If not, contact with them can cause injury.
3. **Never spray foods or chemicals through this gun.**
If done, it can cause accident by corrosion of fluid passages or adversely affect health by mixed foreign matter.
4. **Securely connect fluid hose.**
If hose is disconnected during operation, hazardous hose movement and paint ejection will cause severe bodily injury.
5. **If something goes wrong, immediately stop operation and find the cause. Do not use again until you have solved the problem.**

NAME OF COMPONENTS AND CHECKING THE PRODUCT



- When you open the package, be sure to check that all goods are included and are in good condition.
- If there is any damage or missing components, do not use the product to avoid danger and immediately contact the distributor who sold it to you.
- Always keep caution plates (warning display) clean and in good condition. If they are damaged or missing, replace with new ones.

PAINTING JOB

CAUTION



WARNING

Securely connect fluid hose. When paint leaks, never try to stop it by hand, but stop pump immediately and reduce paint pressure down to 0 bar.

Be sure to use air hose with built-in ground wire or fluid hose with built-in ground wire or use grounded gun stay in order to connect to ground.



CAUTION

Before using a new airless spray gun, clean inside it. If not, rust preventive oil inside airless spray gun can cause painting failure.

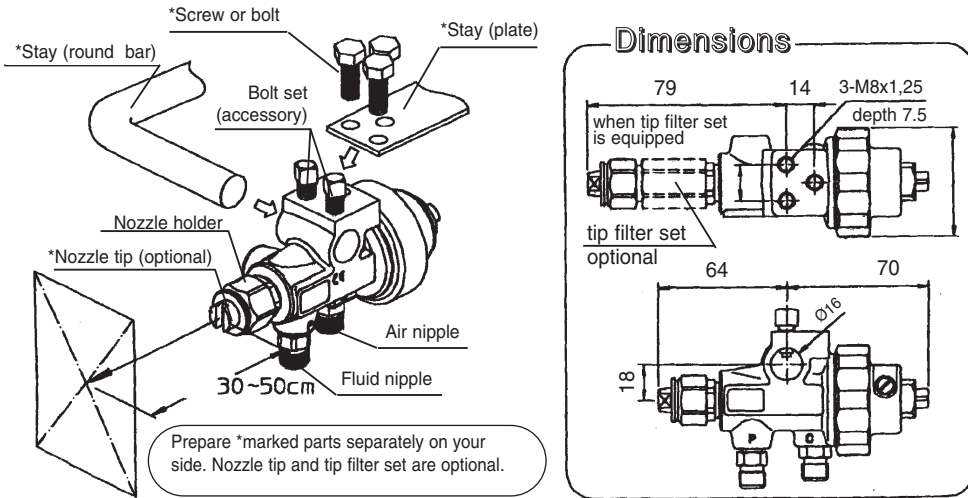


ATTENTION

Use tip filter set when you use paint with lots of pigments, which are likely to clog (tip filter set is optional). For general painting conditions, hold gun perpendicularly against painting surface and keep painting distance at about 30 - 50 cm between nozzle tip of gun and painting surface. (It differs depending on conditions).

INSTALLATION

1. Fit airless automatic spray gun to stay (round bar or plate) and fix it in painting direction.
2. Remove nozzle holder and fit nozzle tip. (Refer to item 4 on page 4 selection of nozzle tip according to paint to be used).
3. Connect operating air hose to air nipple (C engraved side for operating air), and nylon (fluid) hose to fluid nipple (P engraved side for fluid).



OPERATING CIRCUIT



IMPORTANT

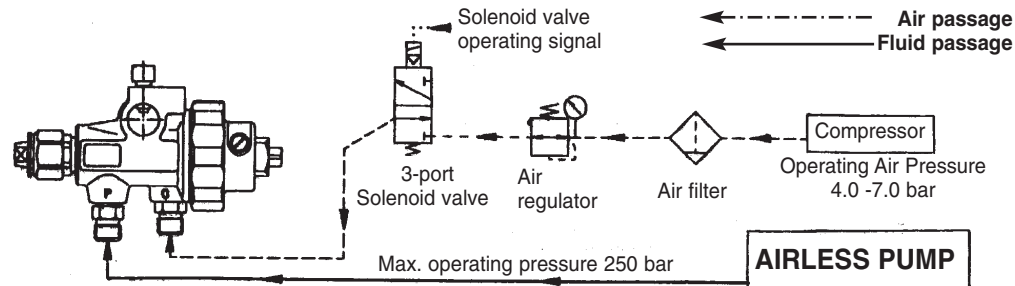
Use clean operating air after it is filtered through air dryer and air filter. Dirty piston or moisture in air can cause failure.

Use 3-port solenoid valve with effective area of more than 12.6mm² (equivalent to Ø 4mm Cv=0.7). Small effective area can cause failure such as slow operation (slow start or stop) of airless automatic spray gun.

Use operating air hose with less than Ø 6 inner dia. and less than 10m length between 3-port solenoid valve and airless automatic gun.

Big or long air hose can cause failure such as slow operation (slow start or stop) of airless spray gun.

REFER TO OPERATING CIRCUIT BELOW



PAINTING JOB



ATTENTION

As fluid pressure increases, paint output increases. But on the other hand, high pressure can be dangerous and precipitate corrosion of equipment and nozzle tip. Adjust pressure as low as possible, whilst still maintaining a satisfactory finish.

CLEANING AND MAINTENANCE

Fully clean after use in order to ensure longer lifetime of spray gun and good performance at next job.



WARNING

During cleaning, be sure to wear protective gear such as glasses, mask or gloves to avoid serious injury caused by paint or solvent which might enter your eyes or you might inhale.

Be sure to stop pump, reduce fluid pressure down to 0 bar and stop operating air before you fit or remove nozzle tip. Paint or solvent can be very dangerous when it enters human body directly through eyes, mouth or skin.

CAUTION

Never use commercial or other parts instead of ANEST IWATA original spare parts.



IMPORTANT

Do not immerse spray gun in solvent in order to clean it. If done, it can damage piston packing, resulting in failure.

TO ENSURE LONGER LIFETIME OF SPRAY GUN AND GOOD PERFORMANCE AT THE NEXT JOB, FULLY CLEAN IT ACCORDING TO THE INSTRUCTIONS BELOW:

1. Remove nozzle tip from airless spray gun and clean it.
2. Clean paint passage of airless spray gun with cleaning liquid, which is compatible with paint used.

SELECTION OF NOZZLE TIP ACCORDING TO KIND OF PAINT

<Numbering system>

Pattern width 25 cm at 30 cm spray distance.

Fluid output 0.7ml/sec/cm of width at fluid pressure 98 bar/ 1421 PSI

NT - 25 07

Use nozzle tip with large figures of last 2 digits when you spray paints of high viscosity or easily clogged.

USAGE	KIND OF PAINT	MODEL (NT - - - -)	REMARKS
Shipbuilding	Rubber chloride paint, Ship-bottom paint	2507-4009	Commonly used
	Tar epoxy paint	3011-4013	Last two digits are large due to high viscosity.
	Zinc rich paint (organic)	2507-4009	Commonly used
	Zinc rich paint (non-organic)	3019-4016	Last two digits are large because it is easy to clog.
Construction	Water base (emulsion paint), Ready mixed paint	2505-4007	Commonly used
Steel frame	Anti-corrosive paint	1507-2513	First two digits are small, and last two digits are large, for angle iron.
Woodwork	Clear lacquer, Synthetic resin varnish	1503-3005	Commonly used
Common metal	Lacquer, Melamine	1504-4007	Commonly used