

# ROUND PATTERN SPRAY GUN AZ5 70 - AZ5 200

**DECLARATION OF CONFORMITY**

We AirGUNSA s.r.l. - Corso Vigevano, 46 - 10155 Torino - Italy declare, under our sole responsibility, that the product:

**SPRAY GUN AZ5**

to which this declaration relates, is in conformity with European ATEX Directive 2006/42/CE for use in zone 1 and zone 2 and Machinery Directive 2006/42/CE.

According with the following international requirements:  
**EN 1127-1:2008, EN 13463-1:2009, EN ISO 121000:2010 and EN 1953:2010.**

Name and position of issuer: Mr. Marco G. VICENTINI, Managing Director

Signature: Date: 01.03.2011

**GB** Before use, adjustment or maintenance, it is important to read this instruction manual very carefully. This manual must be stored in a safe place for any future reference that may be necessary.

This **AIR GUNSA** spray guns kit complies to ATEX regulations 94/9/EC, protection level: II 2 G X Suitable for using Zones 1 and 2.  
X marking: Any static electricity discharge from the spray gun is to be diverted to the ground via the conductive air hose as stipulated.

**IMPORTANT**

This spray gun should be operated only by an adequately trained operator, for safe use and maintenance of the equipment. Any misuse or handling other than those indicated in this Instruction Manual is not covered by guarantee. AIR GUNSA disclaims all responsibility for any accident or damage caused by failure to observe the operational and safety procedures as from this manual. In the interest of user friendliness, this manual contains information in a brief and concise form. For any additional information you may require regarding spray guns operations, or if any missing parts or any damage during transportation is found, please contact your nearest AIR GUNSA Company (see last cover page).

Be sure to observe warnings and cautions in this instruction manual. If not, it can cause paint ejection and serious bodily injury by drawing organic solvent. Be sure to observe following marked items which are especially important.

<b>WARNING</b>	Indicates a potentially hazardous situation which, if not avoided, may result in serious injury or loss of life.
<b>CAUTION</b>	Indicates a potentially hazardous situation which, if not avoided, may result in minor or moderate injury or property damage.
<b>IMPORTANT</b>	Indicates notes which we ask you to observe. The safety precautions in this instruction manual are the minimum necessary conditions. Follow national and local regulations regarding fire prevention, electricity and safety as well as your own company regulations.

**IMPORTANT SPECIFICATIONS**

Max. Pressure:	6.8 bar (98 PSI)	Max. Temperature:	
Noise Level (LAeqT)	74.5 dB (A)	Atmosphere	5 ~ 40 °C
Spray conditions	Recommended condition in Tech. Specifications	Air and fluid	5 ~ 43 °C
Measuring point	1m backwards from gun, 1,6 m height	Air connection:	G 1/4"
		Fluid connection:	G 1/8"

**TECHNICAL SPECIFICATIONS**

Model	Nozzle Orifice Ø mm (in)	Air Cap set Mark	Recommended condition				Model	Type	Weight g (lbs)
			(1) Atomizing Air pressure bar (PSI)	(2) Fluid Output ml/min	Air Consumption Nl/min (cfm)	Pattern Width mm (in)			
<b>AZ5 70 / AZ5 200 Gravity feed</b>									
AZ5 0.3	0.3 (0.012)	03	3.0 (44.1)	19.6	130 (4.59)	100 (3.94)	AZ5 without cup	-	325 (0.72)
AZ5 0.5	0.5 (0.020)	05		26.9	130 (4.59)	110 (4.33)	AZ5 70 cc cup	70 cc	372 (0.82)
AZ5 0.8	0.8 (0.031)	08		41.6	130 (4.59)	130 (5.12)	AZ5 200 cc cup	200 cc	425 (0.94)
AZ5 1.0	1.0 (0.039)	10		62.9	170 (6.00)	140 (5.51)			

(1) Atomizing air pressure means air pressure at gun inlet when trigger is pulled and air flows.  
(2) Paint viscosity; 21sec/Ford cup#4

Manufactured by: **AIR GUNSA \_ Anest Iwata Group**

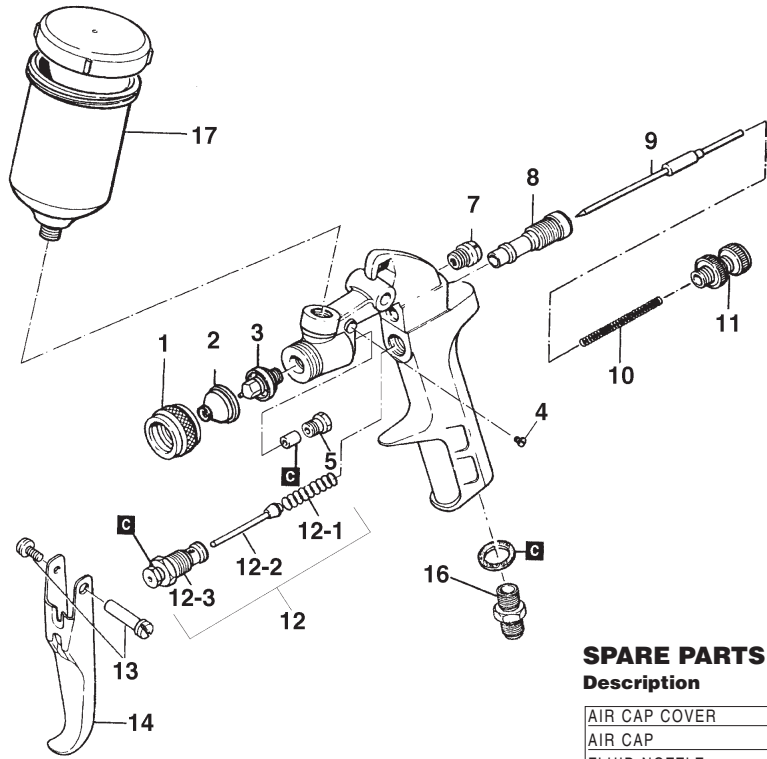
**AIR GUNSA s.r.l.**  
46, Corso Vigevano  
10155 Torino - Italy  
Tel. ++39 011 22 74 402  
Fax ++39 011 22 74 400

**Distributed by:**

**ANEST IWATA Europe S.r.l.**  
46, Corso Vigevano 10155, Torino Italy  
Direct Tel. +39 011 - 22 74 402  
Fax +39 011 - 22 74 000  
info@anest-iwataeu.com  
www.anest-iwataeu.com



# SPARE PARTS LIST



## SPARE PARTS LIST

Description	Ref. Part
AIR CAP COVER	1
AIR CAP	2
FLUID NOZZLE	3
SCREW	4
NEEDLE PACKING NUT	5
PLUG	7
FLUID NEEDLE GUIDE	8
FLUID NEEDLE	9
FLUID NEEDLE SPRING	10
FLUID NEEDLE ADJ. KNOB	11
AIR VALVE SET	12
AIR VALVE SPRING	12-1
AIR VALVE	12-2
AIR VALVE SEAT SET	12-3
TRIGGER STUD	13
TRIGGER	14
PLUG	15
AIR NIPPLE	16
PACKING SET	C
70 cc Akulon CUP	
CUP SET 70 CC	17
200 cc Akulon CUP	
CUP SET 200 CC	A
NON DRIP	D
ADAPTING NIPPLE	E

**NOTE:** When ordering parts, specify gun's model, part name with ref.No. and marked No.of air cap set, fluid nozzle and fluid needle.



## OTHER PRECAUTIONS

4. If something goes wrong, immediately stop operation and find the cause. Do not use again until you have solved the problem.

## HOW TO CONNECT



### CAUTION

- Use clean air filtered through air dryer and air filter. If not, dirty air can cause painting failure.
- When you use this gun for the first time after purchasing, adjust fluid needle packing set. Slowly tighten fluid packing seat and loosen a bit when fluid needle set does not return smoothly, and adjust so that fluid needle set smoothly moves.
- When use this gun for the first time after purchasing, clean fluid passages spraying cleaner and remove rust preventive oil. If not, remaining rust preventive oil can cause painting failure such as fish eyes.
- Firmly fix hose or container to spray gun. If not, disconnection of hose and drop of container can cause bodily injury.

1. Connect an air hose to air nipple tightly.
2. Connect an applicable cup to fluid nipple tightly.
3. Flush the gun fluid passages with a compatible cleaner.
4. Pour paint into container, test spray and adjust fluid output as well as pattern width.

## HOW TO OPERATE

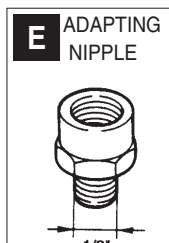
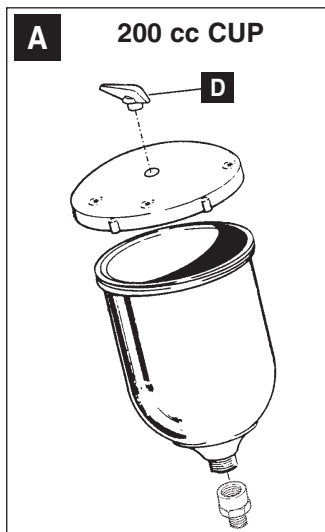
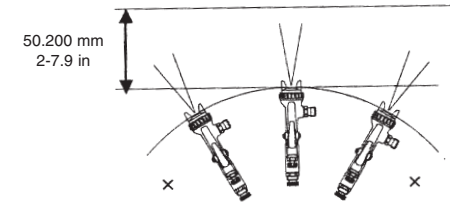
Suggested air pressure is 2.0 to 3.5 bar (29 to 50 PSI)

Recommended paint viscosity differs according to paint property and painting conditions. 12 to 23 sec. / Ford cup #4 is recommendable.

Keep fluid output as small as possible to the extent that the job will not be hindered. It will lead to better finishing with fine atomization.

Set the spray distance from the gun to the work piece as near as possible within the range of 50\_200 mm (2\_7.9 in).

The gun should be held so that it is perpendicular to the surface of the workpiece at all times. Then, the gun should move in a straight and horizontal line. Arcing the gun causes uneven painting.



# MAINTENANCE AND INSPECTION



## WARNING

- First release air and pressure fully according to item No. 3 of "Improper use of equipment" of WARNING on page 2.
- Tip of fluid needle set has a sharp point. Do not touch the tip of needle valve during maintenance for protection of the human body.
- Be careful not to damage the tip of the fluid nozzle or put your hand on it.
- Only an experienced person who is fully conversant with the equipment can do maintenance and inspection.

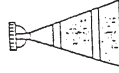



## CAUTION

- Never use commercial or other parts instead of AIR GUINSA original spare parts.
- Never immerse the whole gun into liquid such as cleaner.
- Never damage holes of air cap fluid nozzle or fluid needle.

Step-by-step procedure	Important
1. Pour remaining paint to another container. Clean fluid passages and air cap set. Spray a small amount of cleaner to clean fluid passages.	1. Incomplete cleaning can fail pattern shape and uniform particles. Especially clean fully and promptly after use with two-component paint.
2. Clean each section with brush soaked with cleaner and wipe out with waste cloth.	2. Do not immerse the whole gun in cleaner. If done, it can damage parts. When cleaning, never scratch any holes of air cap set and fluid nozzle, and fluid needle set.
3. Before disassembly, fully clean fluid passages. (1) Disassemble fluid nozzle.  (2) Disassemble fluid needle set. You do not need to remove fluid adj. guide set from gun body. Remove fluid adj. knob and fluid needle spring, and then pull out fluid needle spring, and then pull out fluid needle set from back of fluid adj. guide set.	3. During disassembly, do not scratch seat section. (1) Remove fluid nozzle after removing fluid needle set or while keeping fluid needle pulled, in order to protect seat section. (2) Be careful when handling tip of fluid needle set since it is sharp. Disassemble fluid adj. guide set as little as possible.
4. To adjust fluid needle packing set, while keeping fluid needle set inserted, tighten fluid needle packing seat by hand and then tighten further by spanner.	4. Too much tightening of fluid needle packing set can cause bad movement of fluid needle set and fluid leakage from the tip of fluid needle set.
5. In order to assemble air valve, first assemble air valve & air valve spring & fluid adj. guide set together. Next, insert fluid needle set into fluid adj. guide set, then fit it to gun body set and screw fluid adj. guide set.	5. If you try to fit air valve spring and air valve to gun body set without fluid needle set, air valve will not be fitted correctly and packing inside fluid adj. guide set will be damaged.
6. Turn pattern adj. knob or air adj. knob counterclockwise to fully open. And then tighten pattern adj. set or air adj. set.	6. If pattern adj. knob or air adj. knob are not fully opened, tip of it can contact and damage fluid nozzle and cause seizure of thread.
Where to inspect	Parts replacement standard
1. Each hole passage of air cap and fluid nozzle	Replace if it is crushed or deformed.
2. Packing and O ring	Replace if it is deformed or worn out.
3. Leakage from seat section between fluid nozzle and fluid needle set	Replace them if leakage does not stop after fully cleaning fluid nozzle and fluid needle set.  If you replace fluid nozzle or fluid needle set only, fully match them and confirm that there is no leakage.

# TROUBLESHOOTING

Spray Pattern	Problems	Remedies
 Fluttering	1. Air enters between fluid nozzle and tapered seat of gun body. 2. Air is drawn from fluid needle packing set 3. Air enters at fluid container fitting nut or fluid hose joint.	1. Remove fluid nozzle to clean seat. If it is damaged, replace nozzle. 2. Tighten fluid needle packing. 3. Fully tighten joint section.
 Split	1. Paint viscosity too low. 2. Fluid output too high.	1. Add paint to increase viscosity. 2. Tighten fluid adj. knob to reduce fluid output or turn pattern adj. knob clockwise.

# PROBLEMS AND REMEDIES

Problem	Where it occurred	Parts to be checked	Cause	Remedy			
				Retighten	Adjust	Clean	Replace
Air leaks (from tip of air cap)	Air valve set	Air valve	*Dirt or damage on seat			x	x
		Air valve seat set	*Dirt or damage on seat *Wear on air valve spring			x	x
		O ring	*Damaged or deteriorated				x
Paint leaks	Fluid nozzle	Fluid nozzle - fluid needle set	*Dirt, damage, wear on seat *Loose fluid needle adj. knob *Wear on needle spring		x		x
		Fluid nozzle - gun body	*Insufficient tightening *Dirt or damage on seat	x		x	x
		Fluid needle - packing set	*Needle does not return due to packing set too tight *Needle does not return due to paint buildup on fluid needle		x		x
	Fluid needle	Needle packing set, needle set	*Wear	x			x
		Packing seat	*Insufficient tightening	x			
		Tip of gun			x		
Paint does not flow	Tip of gun	Fluid adj. knob	*Insufficient opening		x		
		Tip hole of nozzle	*Clogged			x	
		Paint filter	*Clogged			x	x