



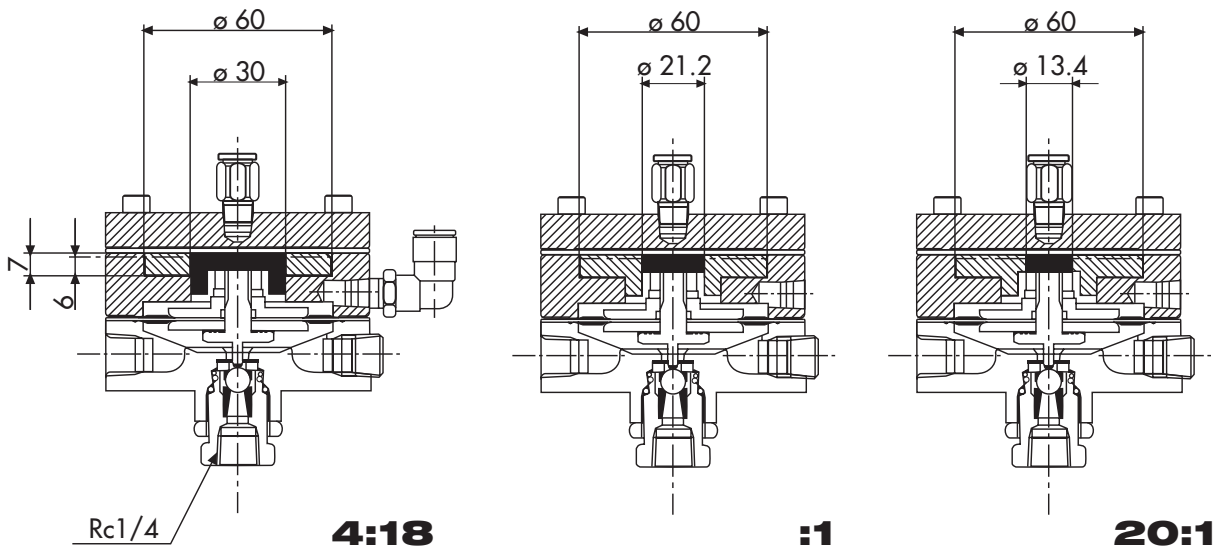
FCV 31 / FCV 31N*

- **Quick Reset System**
- 1:1 - 4:1 - 8:1 - 20:1
- Pressure range: 0÷6 bar
- Max. flow: 2.0 l/min
- Max. primary pressure: 25 bar



**AVAILABLE
IN TWO VERSIONS**

***N = Stainless steel**



CE **Ex** **II 2 G X**

declaration of ATEX conformity for use in zone 1 and in zone 2