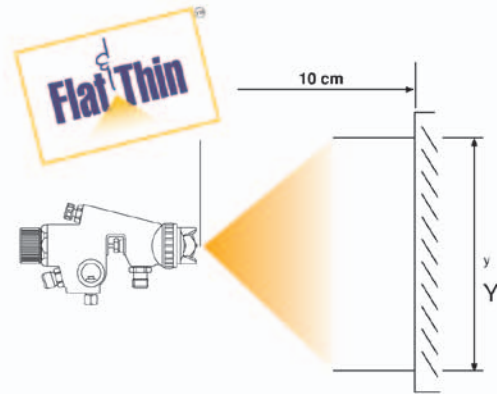
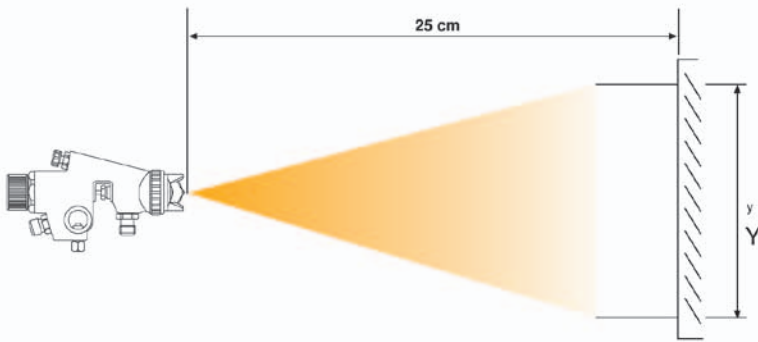




WA 200 Automatic Spray Gun



The Flat & Thin Technology can be applied in all cases in which a short distance from the piece to paint is required; it allows a combination of short distance and a large pattern area, consequently it is possible to cover hard to reach parts hard to reach and the hidden areas.

Flat & Thin is an advanced technology which combines air cap and nozzle-needle set to cover a homogeneous and large film surface. This system allows the paint to reach the surface with the highest transfer efficiency and the lowest overspray.

Model	ø mm	bar	Nl/min	ml/min	mm	No.	Spray Distance	g
WA200-066P FT	0.6	0.14	170	80	140	FT6	100	550
WA200-086P FT	0.8	0.16	185	100	150			
WA200-106P FT	1.0	0.18	200	120	160			
WA200-126P FT	1.2	0.20	220	140	180			

Max. Working Pressure: 6.8 bar (98 PSI)

Noise Level (LAeqT) 81.2 dB (A)

Temperature range: 5~40° C

Air nipple: G 1/4"

Fluid nipple: G 3/8"



declaration of ATEX conformity for use in zone 1 and in zone 2